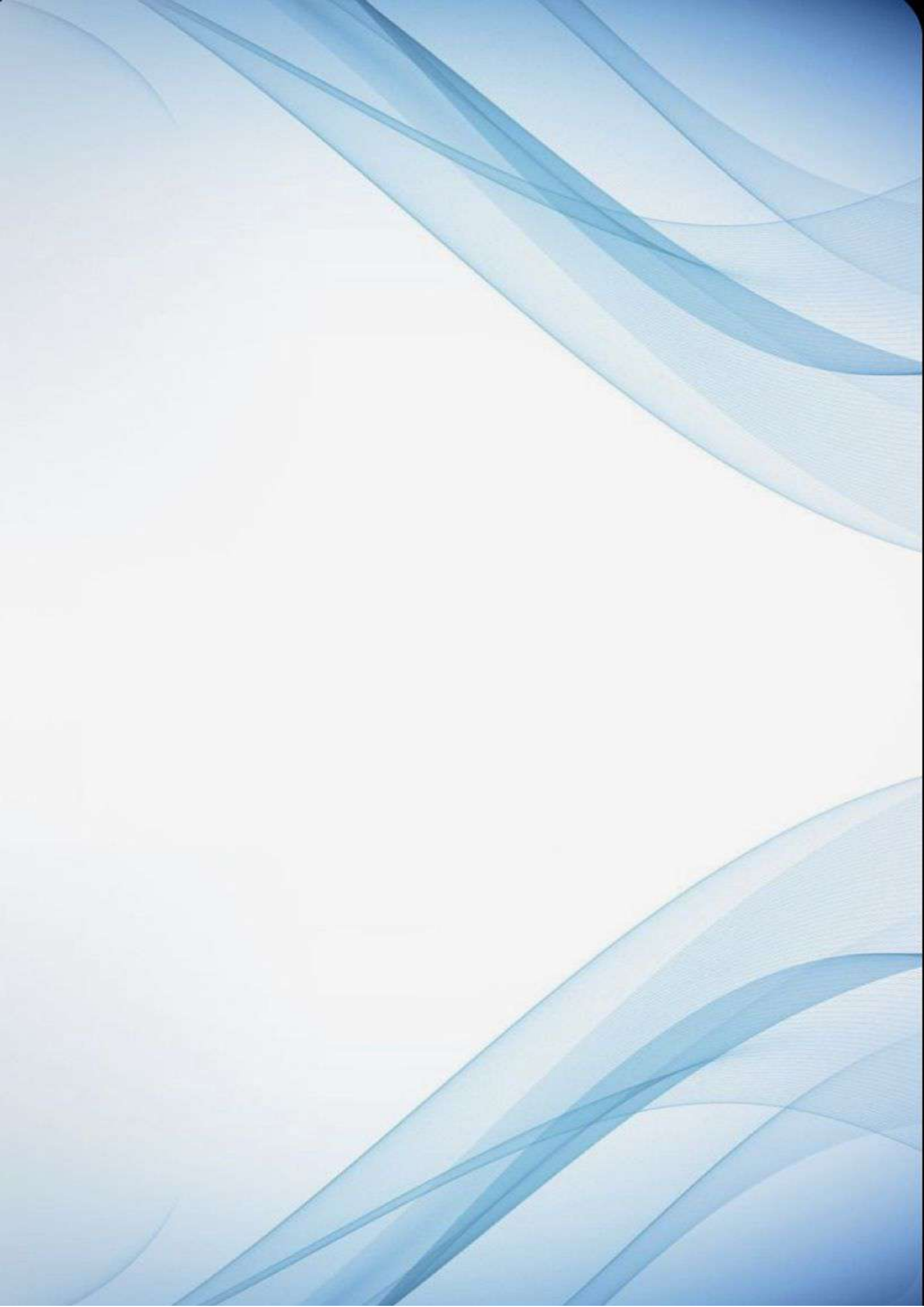


CATALOGUE

La lucente inox







ACTIVITY DESCRIPTION

La lucente inox

was born to satisfy the customer's needs combined with many years of experience gained in the metalworking sector.

Thanks to the support of appropriate software for 3D design, we create, we supply and install every component or accessory for your boat motor and sailing including:

Boats with cabin

Boat with cabin and open

Center console boats

Sport fishing boat

Yacht

Mega Yachts

Deck boats

Inflatable boats

We create products according to the customer's projects or to samples provided by the customer.

We carry out all types of welding, including watertight ones.

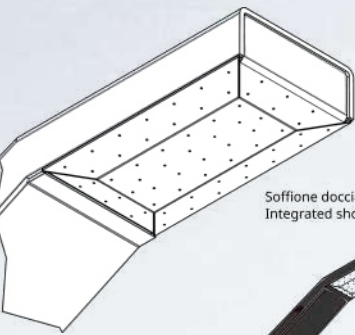
Polishing of stainless steel products.

We install the created products directly on board.

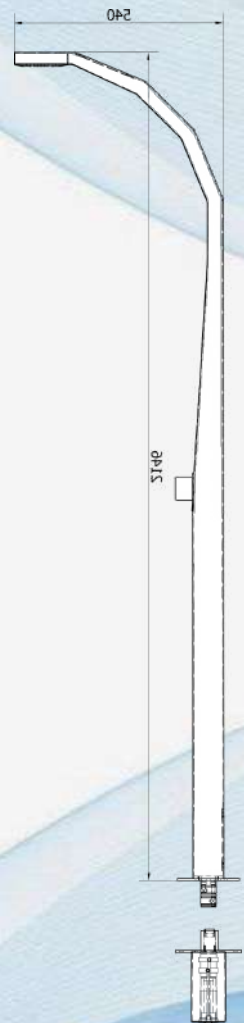
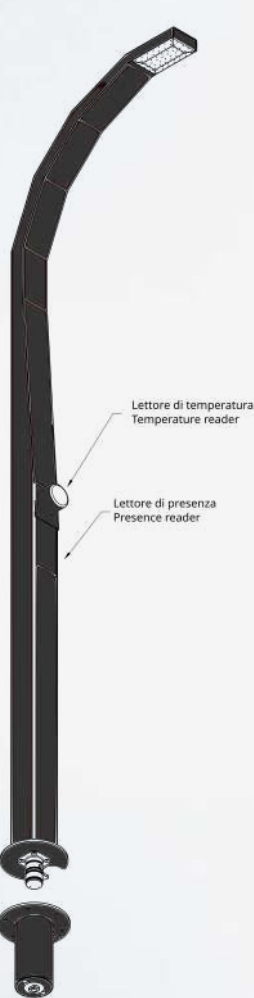


CATALOGUE

STAINLESS STEEL SHOWER



Soffione doccia integrato
Integrated shower head



Removable shower column in polished AISI 316 stainless steel.

Manual temperature regulator.

Teak flush cups with concealed internal tube passage.

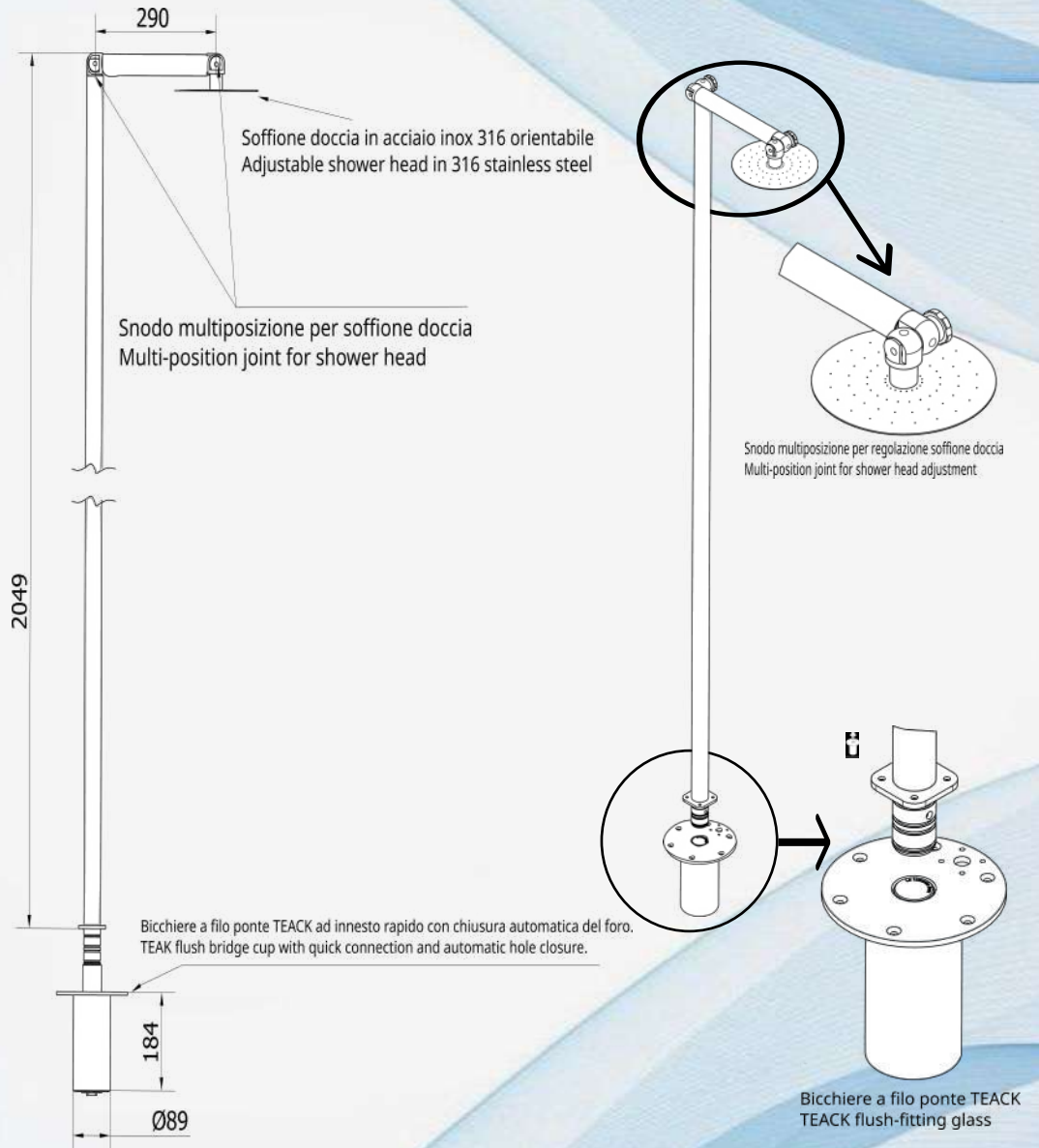
OPTIONAL: Presence sensor for jet opening with 24/12 volt power supply

www.lalucenteinox.it



CATALOGUE

CARBON SHOWER



Round section carbon shower column
or square extractable with teak flush fixing
with self-closing glass.
Water connection with external mixer.

www.lalucenteinox.it



CATALOGUE

FLAGSTICK

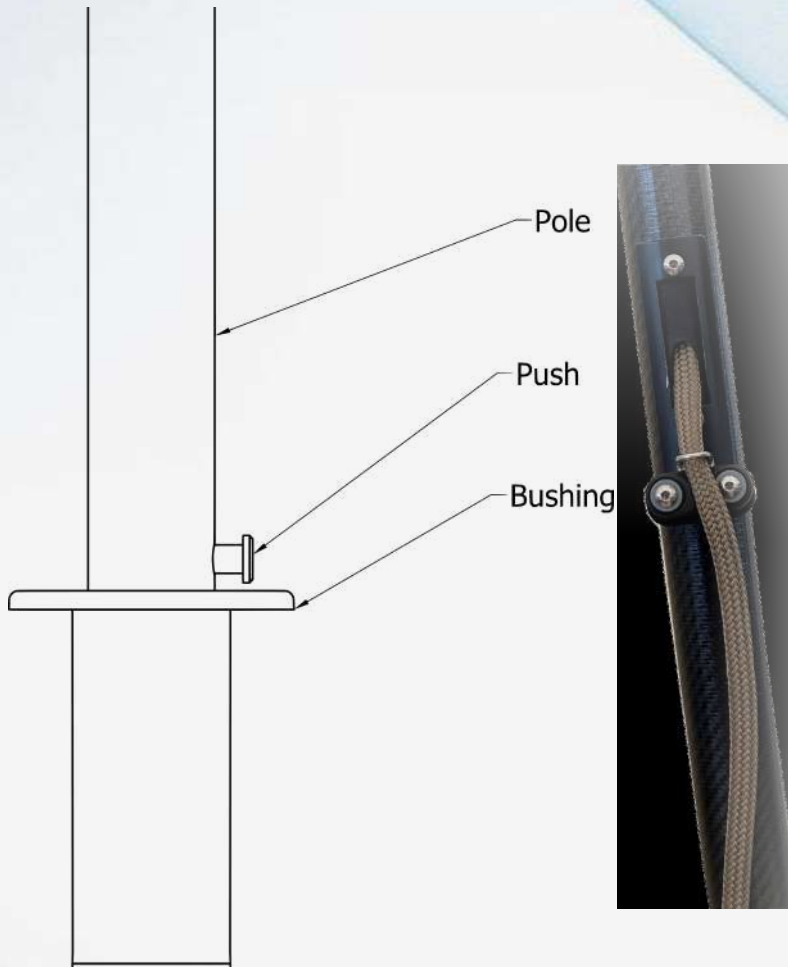


Carbon flag pole
with stainless steel terminals
length from 80cm to 140
oval wing section

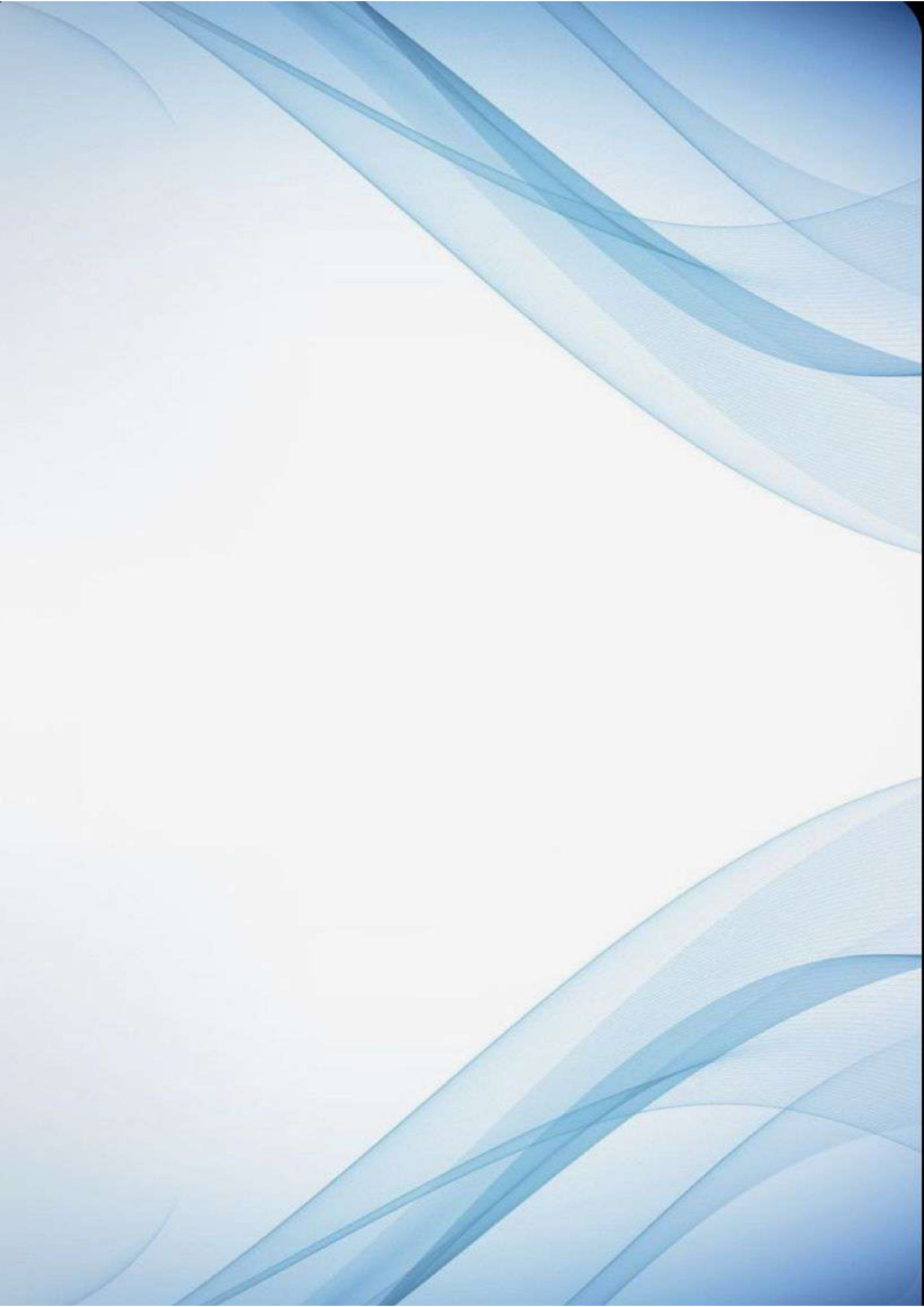


CATALOGUE

AWNING



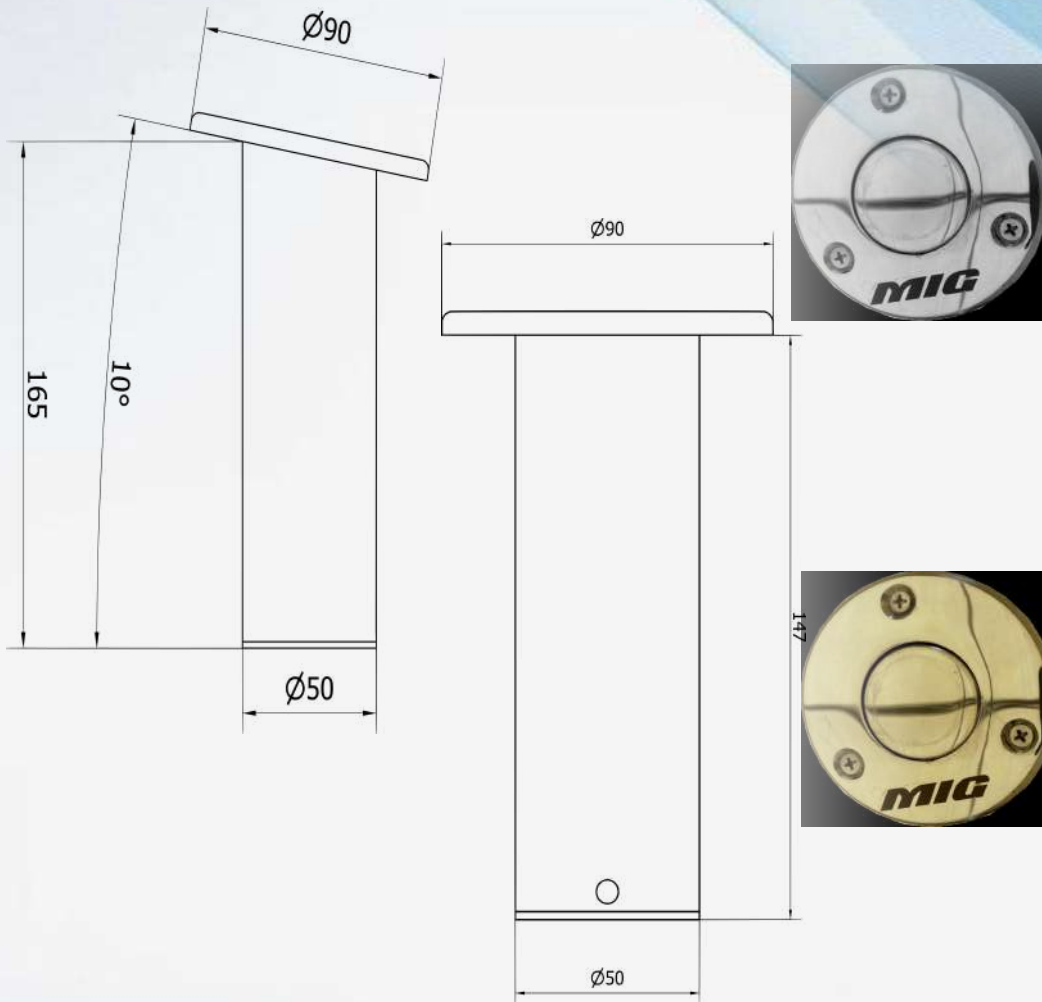
Awning with carbon pole
diameter from 40 to 60mm
max length 200cm
with coupling in the bushing
flush with teak





CATALOGUE

RECESSED BUSH



Flush teak recessed socket with automatic closing for awning with pole in carbon or stainless steel with automatic closing for awning with pole

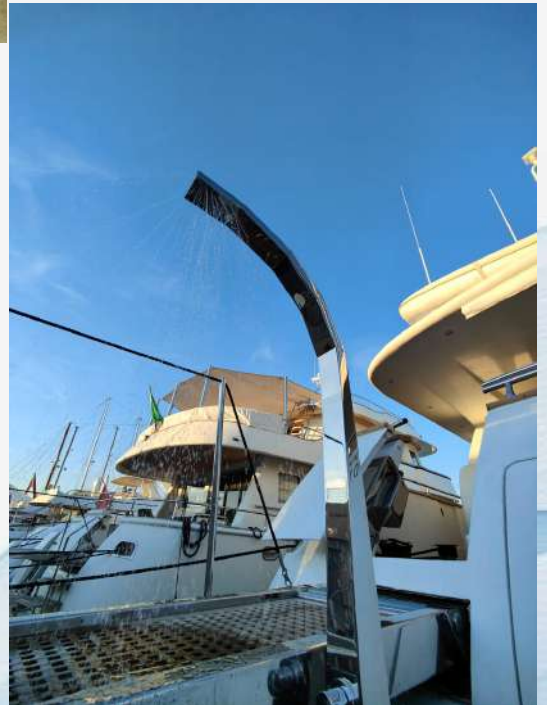


CATALOGUE





CATALOGUE





La Lucente Inox Di Almavilla Vincenzo
Via Nazionale Delle Puglie 104 - Nola (NA)
info@lalucenteinox.it Tel. 346 21 61 12
www.lalucenteinox.it